

POWER SOLUTIONS

Your Power Producer Forever



KNOXGEN

WUXI KNOX POWER CO., LTD.

Landline: +86-510-83708210
Email: alex@knoxgen.com
Mobile: +86-13771053131

www.knoxgen.com

KNOXGEN reserves the right to modify any characteristic or specification without prior notice and without incurring any obligation. The illustrations may include optional equipment and/or accessories. All information in this brochure is based on the latest information available at the time of point.

KNOXGEN
www.knoxgen.com



KNOXGEN
GENERATOR EXPERT
3-4000kVA

Content

01	ABOUT KNOXGEN
03	POWER SYSTEM
05	Industry Generator
09	KDX Knoxgen Series
11	KDC Cummins Series
15	KDP Perkins Series
19	KDK Kubota Series
21	KDD Doosan Series
23	KDV Volvo Series
25	KDF FPT Series
27	KDM MTU Series
29	KDMT Mitsubishi Series
	KNOXGEN CASES
31	Cases

KNOXGEN, POWER YOUR LIFE.



KNOXGEN IS A WORLDWIDE COMPANY SPECIALIZED IN MANUFACTURING WIDE RANGE OF GENERATOR SETS, FROM 3KVA TO 4000KVA.

We are committed to providing high quality, high performance, advanced technology engine products and generator sets to the market, as well as comprehensive after-sales technical support and professional technical training. No matter before or after sales, we are trying to provide better service.



Knoxgen owns high technological experience and the vertically integrated manufacturing processes which ensure that all our products are designed and delivered with top of quality and high performance. All Knoxgen products are dedicated to satisfy the first demand of the customer, the related engineers would research and analyze on the engine, alternator, control system, product structure, installation and other aspects to provide customers with a variety of power solutions.

By years of experiences accumulated, we are now more clear of what we are producing and clearly of what we are going to do; which is all focus on power solutions.

CHOOSING KNOXGEN POWER PRODUCTS IS DEFINITELY YOUR CORRECT AND SMART DECISION, BELIEVE WE CAN BRING A BRIGHT FUTURE FOR YOU.



Big or small, simple or complex, any size or shape, in any regulatory environment, when you need power, KNOXGEN is equal to the challenge. You can get the power you really need.

POWER SYSTEM

Industry Generator



KNOXGEN industry generators based on 1S08528/GB2820-97 standard, we developed the most efficient and stable diesel generator products, It can be used as an emergency or standby power supply to satisfy the temporary use of users, and can be operated continuously.

We can provide from 8-4000kVA wide range power solutions, we are able to provide unique and professional power solution proposals. No matter open type, ultra silent type, containerized type etc. Customers' requirements are forever the drive force of us.

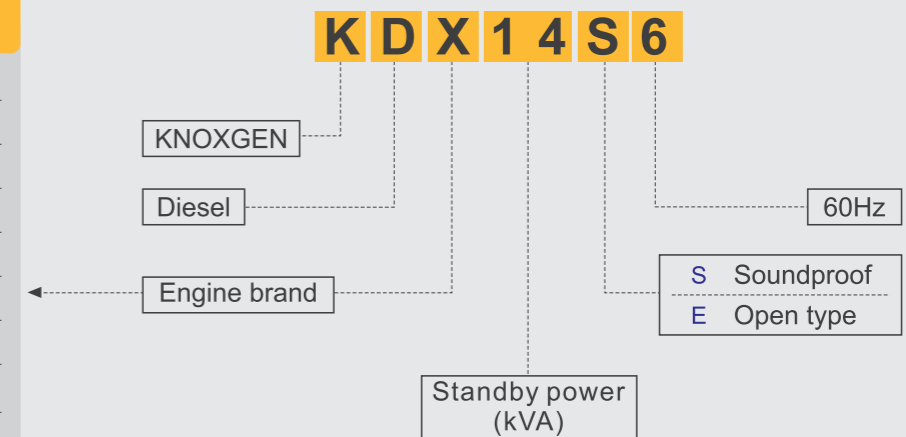
We used world class branded engines like Cummins, Perkins, MTU, Doosan, Kubota, Volvo Penta, FPT etc, Same as alternators like Stamford, Leroy Somer etc, which absolutely ensure the quality of our products. Our goal is never changed, provide best and most suitable power solution for our customers and maximize their benefit!

Cooperate partner



Naming Rules

Engine brand	
X	power by Knoxgen
C	power by Cummins
P	power by Perkins
K	power by Kubota
D	power by Doosan
V	power by Volvo
F	power by FPT
M	power by MTU
MT	power by Mitubishi





KNOXGEN

Ultra Silent

KNOXGEN ultra silent generators with standard or optional configurations will meet any of your output needs. These quiet generator sets will guarantee a reliable power supply in factories, ports, field operations and commercial buildings.

The power system is chosen for its ability to handle a heavy duty load while maintaining reduced operating noise levels.

Open frame

Delivering rugged, reliable mechanical and electrical performance, our diesel generator sets are also suited to peak utility plants, distributed generation facilities, peak shaving and power management at large commercial or industrial sites.

Diesel powered generator sets remain the best value choice worldwide for standby and emergency power systems.

Containerized Type

Due to its well-designed construction, KNOXGEN containerized generators can be conveniently moved on site wherever needed. These units will stand up in the toughest conditions. The generators are driven by outstanding advanced reliable diesel engines and are equipped with brushless, synchronous alternators.

Easily handled by crane or lift truck, the robust 20 and 40 feet CSC ISO container enclosure has lockable wide operating doors so all components are always in reach facilitating service and maintenance.

Each KNOXGEN containerized generator set is designed to meet or exceed international approval specifications and is compliant with current safety and environmental regulations.

KDX SERIES

POWERED BY KNOXGEN ENGINE

KNOXGEN KDX Series Diesel generators are powered by KNOXGEN brand diesel engine which covers genset power range from 10kVA to 88kVA.

These KNOXGEN engines continue the legacy of durability, reliability, maximum fuel efficiency, and low emissions. It can be easily started in low temperature and has good performance in economy and power.



50^{Hz} KDX Series

Three-phase
Powered by KNOXGEN Engine

Genset Model	Prime Power		Standby Power		Engine		Alternator	Control System	Fuel cons 75%(L/H)	Dimension(mm)	
	KW	KVA	KW	KVA	Brand	Model	LITO			Open type	Soundproof type
KDX11S	8	10	8.8	11	Knoxgen	K385D	L1L1D-B4	Standard: LTC6120 Auto control system	1.8	1550*800*1030	2000*850*1150
KDX14S	10	12.5	11	13.8		KNC485BD	L1L1D-C4		2.3	1550*800*1030	2000*850*1150
KDX17S	12	15	13.2	16.5		KNC485BD	L1L1D-D4		2.7	1550*800*1030	2000*850*1150
KDX22S	16	20	17.6	22		KC490BD	L1L1D-E4		3.2	1550*800*1030	2000*850*1150
KDX28S	20	25	22	27.5		KA495BD	L1L1D-F4		3.9	1600*800*1060	2000*850*1150
KDX33S	24	30	26.4	33		KA498BD	L1L1D-G4		4.5	1600*800*1060	2000*850*1150
KDX41S	30	37.5	33	41.3		KA498BZD	L1L1D-H4		5.7	1700*800*1210	2280*900*1250
KDX55S	40	50	44	55		K4D35ZD	L2L1D-B4		7.5	1700*800*1210	2280*900*1250
KDX69S	50	62.5	55	68.8		KA4K41ZD	L2L1D-C4		9.6	1700*800*1210	2280*900*1250
KDX88S	64	80	70.4	88		KA4K41KD31	L2L1D-E4		12.4	2000*800*1450	3000*1050*1650

- ◆ Standard output voltage: 220/380V, 230/400, 240/415V.
- ◆ The following rated values are calculated based on the altitude of 1000 meters and below 40°C ambient temperature, 125°C temperature rise (insulation class H).
- ◆ For each 24-hour period, the average loading is 75% of published prime power, the genset can work for unlimited time in the way of this mode each year. 10% overload work is permissible for 1 hour every 12-hour period. (ISO 8528)

60^{Hz} KDX Series

Three-phase
Powered by KNOXGEN Engine

Genset Model	Prime Power		Standby Power		Engine		Alternator	Control System	Fuel cons 75%(L/H)	Dimension(mm)	
	KW	KVA	KW	KVA	Brand	Model	LITO			Open type	Soundproof type
KDX14S6	10	12.5	11	13.8	Knoxgen	K3B11XD51	L1L1D-B4	Standard: LTC6120 Auto control system	1.9	1550*800*1030	2000*850*1150
KDX22S6	16	20	17.6	22		KNC485BD	L1L1D-D4		3.1	1550*800*1030	2000*850*1150
KDX28S6	20	25	22	27.5		KC490BD	L1L1D-E4		3.9	1550*800*1030	2000*850*1150
KDX33S6	24	30	26.4	33		KA495BD	L1L1D-F4		4.7	1600*800*1060	2000*850*1150
KDX41S6	30	37.5	33	41.3		KA498BD	L1L1D-G4		5.8	1600*800*1060	2000*850*1150
KDX50S6	36	45	40	50		KA498BZD	L1L1D-H4		7.0	1700*800*1210	2280*900*1250
KDX69S6	50	62.5	55	68.8		K4D35ZD	L2L1D-B4		9.7	1700*800*1210	2280*900*1250
KDX77S6	56	70	61.6	77		KA4K41ZD	L2L1D-C4		10.9	1700*800*1210	2280*900*1250
KDX99S6	72	90	79.2	99		KA4K41KD31	L2L1D-E4		14.0	2000*800*1450	3000*1050*1650

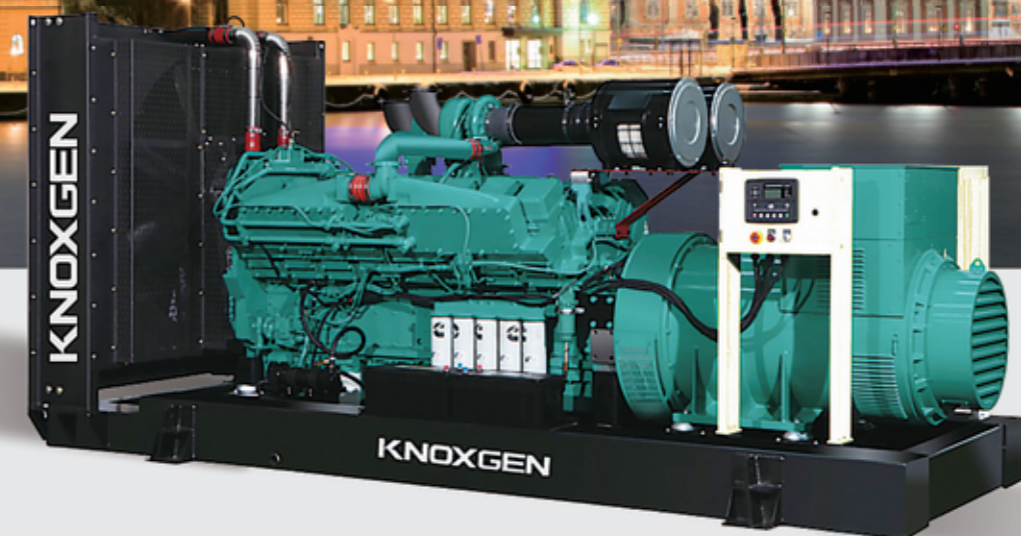
- ◆ Standard output voltage: 440/254V. And 220/127, 208/120, 416/240, 480/277, 460/266V are also available.
- ◆ The following rated values are calculated based on the altitude of 1000 meters and below 40°C ambient temperature, 125°C temperature rise (insulation class H).
- ◆ For each 24-hour period, the average loading is 75% of published prime power, the genset can work for unlimited time in the way of this mode each year. 10% overload work is permissible for 1 hour every 12-hour period. (ISO 8528)



KDC SERIES POWERED BY CUMMINS ENGINE

KNOXGEN KDC Series are powered by CUMMINS diesel engine which covers 21kVA to 2250kVA generators, high reliability, low applied cost has won the industrial and mining enterprises and other industry preference.

KDC series power section of the product has excellent load acceptance performance, advanced economy, power performance and reliability, long service life etc.



Genset Model	Prime Power		Standby Power		Engine		Alternator		Control System	Fuel cons 75%(L/H)	Dimension(mm)	
	KW	KVA	KW	KVA	Cummins	Stamford	Knoxgen	Open type			Soundproof type	
KDC24E	17	21	19	24	4B3.9-G11	S0L2-G1	L1L1D-E4			4.6	1850*900*1360	2280*950*1510
KDC28E	22	27.5	24	30	4B3.9-G1	PI144F	L1L1D-F4			5.7	1850*900*1360	2280*950*1510
KDC28E(G2)	22	27.5	24	30	4B3.9-G2	PI144F	L1L1D-F4			5.7	1850*900*1360	2280*950*1510
KDC44E	32	40	35	44	4BT3.9-G1	S1L2-K1	L2L1D-A4			7.9	1850*900*1360	2280*950*1510
KDC44E(G2)	32	40	35	44	4BT3.9-G2	S1L2-K1	L2L1D-A4			7.9	1850*900*1360	2280*950*1510
KDC55E	40	50	44	55	4BTA3.9-G2	S1L2-R1	L2L1D-B4			8.2	1850*900*1360	2280*950*1510
KDC66E	48	60	53	66	4BTA3.9-G2	S1L2-Y1	L2L1D-C4			10.3	1850*900*1360	2280*950*1510
KDC83E	66	82.5	60	75	4BTA3.9-G11	UCI224F	L2L1D-E4			12.0	1850*900*1360	2280*950*1510
KDC110E(L)	80	100	88	110	4BTA3.9-G13	UCI274C	L3L1D-A4			14.1	1850*900*1360	2280*950*1510
KDC110E(G1)	80	100	88	110	6BT5.9-G1	UCI274C	L3L1D-A4			15.6	2200*1050*1550	2850*1050*1650
KDC110E	80	100	88	110	6BT5.9-G2	UCI274C	L3L1D-A4			15.6	2200*1050*1550	2850*1050*1650
KDC125E	92	115	100	125	6BTA5.9-G2	UCI274D	L3L1D-B4			19.3	2200*1050*1550	2850*1050*1650
KDC142E	104	130	114	142	6BTAA5.9-G2	UCI274E	L3L1D-D4			21.2	2300*950*1530	3000*1050*1660
KDC170E	125	156	136	170	6BTAA5.9-G12	UCI274F	L3L1D-F4			24.6	2300*950*1530	3000*1050*1660
KDC176E	128	160	141	176	6CTA8.3-G2	UCI274F	L3L1D-F4			24.8	2400*950*1630	3100*1130*1950
KDC200E(G1)	145	181	160	200	6CTA8.3-G1	UCI274G	L3L1D-G4			29.7	2400*950*1630	3100*1130*1950
KDC200E	145	181	160	200	6CTA8.3-G2	UCI274G	L3L1D-G4			29.7	2400*950*1630	3100*1130*1950
KDC220E	160	200	176	220	6CTAA8.3-G2	UCI274H	L3L1D-J4			32.2	2450*1050*1630	3200*1130*1950
KDC275DE	200	250	220	275	6LTAA8.9-G2	UCDI274K	L3L1D-L4			38.3	2550*1050*1930	3300*1180*2080
KDC300E	216	270	240	300	6LTAA9.5-G3	S4L1D-D4	L4L1D-B4			44.0	2900*1150*1765	3800*1500*2100
KDC331E	N/A	N/A	265	331	6LTAA9.5-G1	HCI444D	L4L1D-B4			52.0	3050*1150*2000	3950*1500*2250
KDC425E	310	388	340	425	6ZTAA13-G3	S4L1D-F4	L4L1D-G4			60.3	2900*1150*1765	4100*1600*2480
KDC475E	350	438	380	475	6ZTAA13-G2	S4L1D-G4	L5L1D-A4			68.0	2900*1150*1765	4100*1600*2480
KDC500DE	380	475	400	500	QSZ13-G3	S5L1D-C4	L5L1D-B4			67.7	3200*1400*2200	4300*1600*2250
KDC275E	200	250	220	275	MTA11-G2	UCDI274K	L3L1D-L4		Standard: LTC6120 Auto control system	38.8	3050*1150*2000	3950*1600*2230
KDC350E	250	313	280	350	MTAA11-G3	S4L1D-D4	L4L1D-C4			48.6	3050*1150*2000	3950*1600*2230
KDC275E	200	250	220	275	NTA855-GA	UCDI274K	L3L1D-L4			39.3	3050*1150*2000	3950*1600*2230
KDC303E	220	275	242	303	NTA855-G1A	S4L1D-D4	L4L1D-B4			46.1	3050*1150*2000	3950*1600*2230
KDC350E	256	320	280	350	NTA855-G1B	HCI444ES	L4L1D-D4			53.5	3050*1150*2000	3950*1520*2250
KDC380E	280	350	304	380	NTA855-G2A	S4L1D-E4	L4L1D-E4			54.0	3050*1150*2000	3950*1600*2230
KDC412E	300	375	330	412	NTAA855-G7	S4L1D-F4	L4L1D-F4			62.2	3300*1150*2150	4200*1600*2240
KDC450E	330	413	360	450	NTAA855-G7A	S4L1D-F4	L5L1D-A4			71.8	3300*1150*2150	4200*1600*2240
KDC500E	360	450	400	500	KTA19-G3	S4L1D-G4	L5L1D-A4			72.8	3500*1450*2250	4300*1600*2250
KDC550E	400	500	440	550	KTA19-G3A	S5L1D-C4	L5L1D-B4			80.1	3500*1450*2250	4300*1600*2250
KDC631E	420	525	505	631	KTAA19-G5	S5L1D-D4	L5L1D-C4			81.5	3600*1450*2400	4500*1700*2250
KDC575E	460	575	520	650	KTAA19-G6	S5L1D-E4	L5L1D-D4			94.6	3500*1520*2250	4500*1700*2250
KDC650E	N/A	N/A	520	650	KTA19-G8	S5L1D-E4	L5L1D-D4			N/A	3500*1520*2250	4500*1700*2250
KDC688E	N/A	N/A	550	688	KTAA19-G6A	HCI544FS	L5L1D-E4			N/A	3650*1550*2490	4500*1700*2250
KDC713E	520	650	570	713	QSK19-G4	S5L1D-F4	L5L1D-F4			106.8	3650*1550*2490	4500*1700*2250
KDC625E	500	625	550	688	KT38-G	S5L1D-F4	L5L1D-E4			97.1	4400*2250*2500	ISO 20'GP
KDC788E	570	713	630	788	KTA38-G1	S5L1D-H4	L6L1D-A4			110.7	4400*2250*2500	ISO 20'GP
KDC825E	600	750	660	825	KTA38-G2	S5L1D-H4	L6L1D-A4			127.3	4400*2250*2500	ISO 20'GP
KDC880E	640	800	704	880	KTA38-G2B	S6L1D-C4	L6L1D-B4			125.6	4400*2250*2500	ISO 20'GP
KDC1000E	728	910	800	1000	KTA38-G2A	S6L1D-D4	L6L1D-C4			145.1	4400*2250*2500	ISO 20'GP
KDC1100E	800	1000	880	1100	KTA38-G5	S6L1D-E4	L6L1D-D4			158.0	4400*2250*2500	ISO 20'GP
KDC1250E	910	1138	1000	1250	KTA38-G9	S6L1D-F4	L6L1D-E4			176.6	4500*2250*2500	ISO 20'GP
KDC1375QE	1000	1250	1100	1375	QSK38-G5	S6L1D-G4	L6L1D-F4			202.3	4400*2250*2500	ISO 20'GP
KDC1375E	1000	1250	1100	1375	KTA50-G3	S6L1D-G4	L6L1D-F4			195.9	5350*2000*2530	ISO 20'HQ
KDC1625E	1100	1375	1300	1625	KTA50-G8	S6L1D-H4	L7L1D-A4			213.5	5350*2000*2530	ISO 40'HQ
KDC1650E	1200	1500	1320	1650	KTA50-GS8	S7L1D-C4	L7L1D-B4			238.5	5350*2000*2530	ISO 40'HQ
KDC1875E	1320	1650	1500	1875	KTA50-G15X	S7L1D-D4	L7L1D-C4			256.2	5350*2000*2530	ISO 40'HQ
KDC2063E	1500	1875	1650	2063	KTA50-G16A	S7L1D-F4	L7L1D-D4			291.2	5350*2000*2530	ISO 40'HQ
KDC2250E	1640	2050	1800	2250	QSK60-G4	S7L1D-G4	L7L1D-E4			291.0	6200*2300*2550	ISO 40'HQ

◆ Standard output voltage:220/380V,230/400,240/415V.
◆ The following rated values are calculated based on the altitude of 1000 meters and below 40°C ambient temperature,125°C temperature rise(insulation class H).
◆ For each 24-hour period,the average loading is 75% of published prime power,the genset can work for unlimited time in the way of this mode each year.10% overload work is permissible for 1 hour every 12-hour period.(ISO 8528)

Genset Model	Prime Power		Standby Power		Engine		Alternator		Control System	Fuel cons 75%(L/H)	Dimension(mm)	
	KW	KVA	KW	KVA	Cummins	Stamford	Knoxgen	Open type			Soundproof type	
KDC28E6	21	26	22	28	4B3.9-G11	S0L2-M1	L1L1D-E4			4.8	1850*900*1350	2280*950*1510
KDC33E6	24	30	26	33	4B3.9-G2	S0L2-P1	L1L1D-F4			6.8	1850*900*1350	2280*950*1510
KDC38E6	28	35	30	38	4B3.9-G12	S1L2-J1	L1L1D-G4			7.5	1850*900*1350	2280*950*1510
KDC50E6	36	45	40	50	4BT3.9-G2	S0L2-N1	L1L1D-H4			8.4	1850*900*1350	2280*950*1510
KDC68E6	50	63	54	68	4BTA3.9-G2	UCI224D	L2L1D-B4			11.9	1850*900*1350	2280*950*1510
KDC70E6	52	65	56	70	4BTA3.9-G2	SIL2-Y1	L2L1D-C4			11.9	1850*900*1350	2280*950*1510
KDC77E6	56	70	62	77	4BTA3.9-G11	UCI224E	L2L1D-C4			12.5	1850*900*1350	2280*950*1510
KDC95E6	68	85	76	95	4BTA3.9-G11	UCI224F	L2L1D-D4			14.0	1850*900*1350	2280*950*1510
KDC100E6	72	90	80	100	4BTA3.9-G11	UCI224G	L2L1D-E4			15.6	1850*900*1350	2280*950*1510
KDC120E6	88	110	96	120	6BT5.9-G2	UCI274C	L2L1D-F4			20.8	2200*1000*1530	3000*1050*1740
KDC138E6	100	125	110	138	6BT5.9-G2(M)	UCI 274D	L3L1D-B4			21.9	2200*1000*1530	3000*1050*1740
KDC145E6	104	130	116	145	6BTA5.9-G2	UCI274D	L3L1D-B4			22.8	2200*1000*1530	3000*1050*1740
KDC156E6	116	145	125	156	6BTAA5.9-G2	UCI274E	L3L1D-C4			23.4	2350*1000*1530	3000*1050*1740
KDC180E6	134	168	144	180	6BTAA5.9-G12	UCI274F	L3L1D-D4			29.2	2350*1000*1530	3000*1050*1740
KDC220E6	160	200	176	220	6CTA8.3-G2	UCI274G	L3L1D-G4			34.3	2400*1000*1710	3200*1200*1950
KDC250E6	176	220	200	250	6CTAA8.3-G2	UCI274H	L3L1D-H4			37.8	2500*1000*1710	3200*1200*1950
KDC285E6	208	260	228	285	6LTAA8.9-G2	UCDI274J	L3L1D-K4			41.6	2500*1000*1710	3200*1200*1950
KDC310E6	224	280	248	310	6LTAA8.9-G3	UCDI274K	L3L1D-L4			44.4	3050*1150*2000	4200*1500*2250
KDC315E6	228	285	252	315	6LTAA9.5-G3	UCDI274K	L3L1D-L4		Standard: LTC6120 Auto control system	47.0	3050*1150*2000	4200*1500*2250
KDC350E6	256	320	280	350	6LTAA9.5-G1	S4L1D-D4	L4L1D-B4			50.0	3050*1150*2000	4200*1500*2250
KDC500QE6	368	460	400	500	QSZ13-G3	S4L1D-F4	L4L1D-G4			75.7	3400*1300*2100	4630*1660*2250
KDC350E6	250	312	280	350	NT855-G1	S4L1D-D4	L4L1D-B4			56.1	2500*1000*1710	3200*1200*1950
KDC375E6	275	344	300	375	NTA855-G1B	S4L1D-D4	L4L1D-B4			61.7	3020*1100*1850	3890*1460*2150
KDC435E6	320	400	348	435	NTA855-G3	S4L1D-E4	L4L1D-E4			66.0	3300*1150*2000	4200*1500*2250
KDC500E6	350	438	400	500	KTA19-G2	S4L1D-F4	L4L1D-F4			76.0	3430*1520*2200	4500*1700*2250
KDC565E6	412	515	452	565	KTA19-G3	S5L1D-C4	L5L1D-A4			86.0	3430*1520*2200	4500*1700*2250
KDC625E6	450	563	500	625	KTA19-G3A	S5L1D-E4	L5L1D-B4			83.4	3430*1520*2200	4500*1700*2250
KDC750E6	N/A	N/A	600	750	KTAA19-G6A	S5L1D-F4	L5L1D-F4			93.0	3650*1638*2050	5030*1860*2550
KDC750QE6	550	688	600	750	QSK19-G5	S5L1D-F4	L5L1D-D4			113.0	3650*1638*2050	5030*1860*2550
KDC850E6	620	775	680	850	KT38-G	S5L1D-H4	L5L1D-F4			118.0	4500*1800*2200	ISO 20'ft
KDC1000E6	728	910	800	1000	KTA38-G2	S6L1D-D4	L6L1D-B4			157.0	4500*1800*2200	ISO 20'ft
KDC1100E6	800	1000	880	1100	KTA38-G2A	S6L1D-E4	L6L1D-C4			164.0	4500*1800*2200	ISO 20'ft
KDC1250E6	900	1125	1000	1250	KTA38-G4	S6L1D-F4	L6L1D-D4			190.0	4500*1800*2200	ISO 20'ft
KDC1												



KDP SERIES POWERED BY PERKINS ENGINE

KNOXGEN KDP Series are powered by PERKINS diesel engine which covers 9kVA to 1875kVA generators, it provide a low running cost solution.

Genset Model	Prime Power		Standby Power		Engine	Alternator		Control System	Fuel cons 75%(L/H)	Dimension(mm)	
	KW	KVA	KW	KVA		Perkins	Stamford			Knoxgen	Open type
KDP10E	7.2	9	8	10	403A-11G	S0L1-H1	L1L1D-B4	Standard: LTC6120 Auto control system	2.0	1200*700*1100	1700*850*1100
KDP14E	10	12.5	11	13.8	403A-15G1	S0L1-L1	L1L1D-C4		2.7	1200*700*1100	1700*850*1100
KDP17E	12	15	13.2	16.5	403A-15G2	S0L1-P1	L1L1D-D4		3.3	1200*700*1100	1700*850*1100
KDP22E	16	20	17.6	22	404A-22G	S0L2-G1	L1L1D-E4		4.1	1400*700*1100	1900*850*1100
KDP33E	24	30	26	33	1103A-33G	S0L2-P1	L1L1D-G4		5.3	1700*800*1250	2280*950*1510
KDP50E	36	45	40	50	1103A-33TG1	S1L2-N1	L2L1D-B4		8.1	1700*800*1250	2280*950*1510
KDP66E	48	60	53	66	1103A-33TG2	S1L2-Y1	L2L1D-C4		10.8	1700*800*1250	2280*950*1510
KDP72E	52	65	57	71.5	1104A-44TG1	UCI224F	L2L1D-D4		10.9	1900*800*1250	2500*950*1510
KDP88E	64	80	70	88	1104A-44TG2	UCI224G	L2L1D-E4		14.0	1900*800*1250	2500*950*1510
KDP110E	80	100	88	110	1104C-44TAG2	UCI274C	L3L1D-A4		16.8	1900*800*1250	2500*950*1510
KDP150E	109	136	120	150	1106A-70TG1	UCI274E	L3L1D-D4		21.8	2300*900*1550	3100*1100*1610
KDP165E	120	150	132	165	1106A-70TAG2	UCI274F	L3L1D-E4		23.9	2300*900*1550	3100*1100*1610
KDP200E	145	181	160	200	1106A-70TAG3	UCI274G	L3L1D-G4		30.2	2500*900*1600	3100*1200*1610
KDP220E	160	200	176	220	1106A-70TAG4	UCI274H	L3L1D-J4		33.7	2500*900*1600	3100*1200*1610
KDP250E	180	225	200	250	1506A-E88TAG2	UCDI274J	L3L1D-K4		39.4	2600*950*1700	3600*1200*2050
KDP275E	200	250	220	275	1506A-E88TAG3	UCDI274K	L3L1D-L4		41.6	2600*950*1700	3600*1200*2050
KDP330E	240	300	264	330	1506A-E88TAG5	HCI444D	L4L1D-C4		46.0	3000*1100*1700	4200*1300*2250
KDP385E	280	350	308	385	2206C-E13TAG2	HCI444E	L4L1D-E4		64.0	3300*1140*2200	4300*1600*2250
KDP440E	320	400	352	440	2206C-E13TAG3	HCI444F	L4L1D-G4		72.0	3300*1140*2200	4300*1600*2250
KDP500E	364	455	400	500	2506C-E15TAG1	HCI544C	L5L1D-B4		73.0	3500*1400*2200	4600*1700*2370
KDP550E	400	500	440	550	2506C-E15TAG2	HCI544D	L5L1D-B4		82.0	3500*1400*2200	4600*1700*2370
KDP660E	480	600	528	660	2806A-E18TAG1A	HCI544E	L5L1D-D4		97.0	3500*1600*2200	4600*2100*2450
KDP700E	508	635	560	700	2806A-E18TAG2	HCI544FS	L5L1D-F4		95.0	3500*1600*2200	4600*2100*2450
KDP825E	600	750	660	825	4006-23TAG2A	LVI634B	L6L1D-A4		119.0	4000*1800*2450	5500*2100*2450
KDP880E	640	800	704	880	4006-23TAG3A	S6L1D-C4	L6L1D-B4		131.0	4000*1800*2450	5500*2100*2450
KDP1000E	728	910	800	1000	4008TAG1A	LVI634D	L6L1D-C4		143.0	4750*2100*2250	5800*2000*2450
KDP1100E	800	1000	880	1100	4008TAG2A	S6L1D-E4	L6L1D-D4		158.0	4750*2100*2250	5800*2000*2450
KDP1238E	900	1125	990	1238	4008-30TAG3	S6L1D-F4	L6L1D-E4		176.0	4500*1800*2250	5800*2000*2450
KDP1375E	1000	1250	1100	1375	4012-46TWG2A	S6L1D-G4	L6L1D-F4		209.0	4500*1800*2250	ISO 20'ft
KDP1500E	1080	1350	1200	1500	4012-46TWG3A	PI734B	L7L1D-A4		N/A	4500*1800*2250	ISO 20'ft
KDP1650E	1200	1500	1320	1650	4012-46TAG2A	S7L1D-C4	L7L1D-B4	236.0	4500*1800*2250	ISO 20'ft	
KDP1813E	1320	1650	1450	1812.5	4012-46TAG3A	PI734D	L7L1D-C4	264.0	5200*2100*2650	ISO 40'ft	
KDP2250E	1640	2050	1800	2250	4016-61RTG2	PI734F/S7L1D-G4	L7L1D-E4	309.0	5200*2100*2650	ISO 40'ft	
KDP2500E	1760	2200	2000	2500	4016-61RTG3	PI734G/S7L1D-J4	L7L1D-F4	354.0	5200*2100*2651	ISO 40'ft	

◆ Standard output voltage:220/380V,230/400,240/415V.
 ◆ The following rated values are calculated based on the altitude of 1000 meters and below 40℃ ambient temperature,125℃ temperature rise(insulation class H).
 ◆ For each 24-hour period,the average loading is 75% of published prime power,the genset can work for unlimited time in the way of this mode each year.10% overload work is permissible for 1 hour every 12-hour period.(ISO 8528)

Genset Model	Prime Power		Standby Power		Engine	Alternator		Control System	Fuel cons 75%(L/H)	Dimension(mm)	
	KW	KVA	KW	KVA		Perkins	Stamford			Knoxgen	Open type
KDP12E6	8.8	11	9.6	12	403D-11G	S0L1-H1	L1L1D-B4	Standard: LTC6120 Auto control system	2.4	1200*700*1100	1700*850*1100
KDP18E6	13	16	14	18	403D-15G	S0L1-P1	L1L1D-C4		3.7	1200*700*1100	1700*850*1100
KDP18E6	14	18	16	20	403A-15G2	S0L2-F1	L1L1D-D4		N/A	1400*700*1100	1900*850*1100
KDP26E6	19	24	21	26	404D-22G	S0L2-M1	L1L1D-E4		5.2	1400*700*1100	1900*850*1100
KDP35E6	26	32	28	35	404D-22TG	S0L2-P1	L1L1D-F4		5.7	1400*700*1100	1900*850*1100
KDP39E6	28	35	31	39	1103A-33G	S1L2-J1	L1L1D-G4		6.6	1700*800*1250	2280*950*1510
KDP60E6	43	54	48	60	1103A-33TG1	UCI 224C	L2L1D-B4		9.9	1700*800*1250	2280*950*1510
KDP75E6	54	68	60	75	1103A-33TG2	S1L2-Y1	L2L1D-C4		12.5	1700*800*1250	2280*950*1510
KDP85E6	61	76	68	85	1104A-44TG1	UCI224F	L2L1D-C4		12.8	1900*800*1250	2500*950*1510
KDP100E6	72	90	80	100	1104A-44TG2	UCI 224G	L2L1D-E4		16.9	1900*800*1250	2500*950*1510
KDP125E6	90	113	100	125	1104C-44TAG2	UCI274C	L3L1D-A4		20.2	1900*800*1250	2500*950*1510
KDP165E6	120	150	132	165	1106A-70TG1	UCI274E	L3L1D-C4		26.5	2300*900*1550	3100*1100*1610
KDP185E6	134	168	148	185	1106A-70TAG2	UCI274F	L3L1D-D4		28.4	2300*900*1550	3100*1100*1610
KDP216E6	160	200	173	216	1106A-70TAG3	UCI274G	L3L1D-G4		35.1	2500*900*1600	3100*1200*1610
KDP250E6	183	228	200	250	1106D-E70TAG5	UCI274H	L3L1D-J4		38.5	2500*900*1600	3100*1200*1610
KDP309E6	225	281	247	309	1506A-E88TAG3	UCDI274J	L3L1D-L4		47.5	2600*950*1700	3600*1200*2050
KDP344E6	250	313	275	344	1506A-E88TAG4	HCI444C	L4L1D-B4		51.1	3000*1100*1700	4200*1300*2250
KDP371E6	270	338	297	371	1506A-E88TAG5	S4L1D-C4	L4L1D-B4		56.8	3000*1100*1700	4200*1300*2250
KDP440E6	320	400	352	440	2206C-E13TAG2	S4L1D-E4	L4L1D-E4		67.0	3300*1140*2200	4300*1600*2250
KDP481E6	350	438	385	481	2206C-E13TAG3	S4L1D-F4	L4L1D-F4		73.0	3300*1140*2200	4300*1600*2250
KDP550E6	400	500	440	550	2506C-E15TAG1	HCI544C	L5L1D-A4		77.0	3500*1400*2200	4600*1700*2370
KDP625E6	456	570	500	625	2506C-E15TAG3	HCI544D	L5L1D-B4		96.0	3500*1400*2200	4600*1700*2370
KDP688E6	500	625	550	688	2806C-E18TAG1A	HCI544E	L5L1D-C4		146.0	3500*1600*2200	4600*2100*2450
KDP750E6	550	688	600	750	2806C-E18TAG3	HCI 544E	L5L1D-D4		112.0	3500*1600*2200	4600*2100*2450
KDP825E6	600	750	660	825	4006-23TAG2A	HCI544F	L5L1D-F4		130.0	4000*1800*2450	5500*2100*2450
KDP925E6	673	841	740	925	4006-23TAG3A	LVI634B	L6L1D-A4		144.0	4000*1800*2450	5500*2100*2450
KDP1100E6	800	1000	880	1100	4008TAG2	LVI634D	L6L1D-C4		162.0	4750*2100*2250	5800*2000*2450
KDP1375E6	1000	1250	1100	1375	4012-46TWG2A	LVI634F	L6L1D-E4		N/A	4500*1800*2250	ISO 20'ft
KDP1500E6	1091	1364	1200	1500	4012-46TWG3A	LVI634G	L6L1D-F4		N/A	4500*1800*2250	ISO 20'ft
KDP1650E6	1200	1500	1320	1650	4012-46TAG2A	PI734A	L6L1D-F4		N/A	4500*1800*2250	ISO 20'ft
KDP1875E6	1368	1710	1500	1875	4012-46TAG3A	PI734C	L7L1D-B4	275.0	5200*2100*2650	ISO 40'ft	

◆ Standard output voltage:440/254V.And 220/127,208/120,416/240,480/277,460/266V are also available.
 ◆ The following rated values are calculated based on the altitude of 1000 meters and below 40℃ ambient temperature,125℃ temperature rise(insulation class H).
 ◆ For each 24-hour period,the average loading is 75% of published prime power,the genset can work for unlimited time in the way of this mode each year.10% overload work is permissible for 1 hour every 12-hour period.(ISO 8528)

Hz

KDK SERIES

POWERED BY KUBOTA ENGINE

KNOXGEN KDK series gensets are powered by KUBOTA diesel engine and power range from 10kVA to 39kVA.

The generators are small and medium-sized power products specially designed for high-end users in KNOXGEN product line. Among the products in the same power section, its characteristics of low oil and high reliability are incomparable.



50^{Hz} KDK Series

Three-phase
Powered by KUBOTA Engine

Genset Model	Prime Power		Standby Power		Engine KUBOTA	Alternator		Control System	Fuel cons 75%(L/H)	Dimension(mm)	
	KW	KVA	KW	KVA		Stamford	Knoxgen			Open type	Soundproof type
KDK11S	8	10	8.8	11	D1105-E2BG-CHN-1	S0L1-H1	L1L1D-B4	Standard: LTC6120 Auto control system	1.5	1200*700*1100	1600*800*1100
KDK14S	10	13	11	14	V1505-E2BG-CHN-1	S0L1-L1	L1L1D-C4		1.9	1200*700*1100	1600*800*1100
KDK17S	12	15	13.6	17	D1703-E2BG-CHN-1	S0L1-P1	L1L1D-D4		2.2	1300*700*1100	1700*800*1100
KDK22S	16	20	17.6	22	V2203-E2BG-CHN-1	S0L2-G1	L1L1D-E4		3.0	1400*700*1100	1700*800*1100
KDK28S	20	25	22	28	V2003-T-E2BG-CHN-1	S0L2-M1	L1L1D-F4		3.7	1400*700*1100	1800*800*1150
KDK33S	24	30	26.4	33	V3300-E2BG2-CHN-1	S0L2-P1	L1L1D-G4		4.4	1500*800*1250	2000*850*1300
KDK37S	27	34	30	37	V3300-T-E2BG2-CHN-1	S1L2-J1	L1L1D-H4		5.0	1500*800*1250	2000*850*1300

- ◆ Standard output voltage: 220/380V, 230/400, 240/415V.
- ◆ The following rated values are calculated based on the altitude of 1000 meters and below 40°C ambient temperature, 125°C temperature rise (insulation class H).
- ◆ For each 24-hour period, the average loading is 75% of published prime power, the genset can work for unlimited time in the way of this mode each year. 10% overload work is permissible for 1 hour every 12-hour period. (ISO 8528)

60^{Hz} KDK Series

Three-phase
Powered by KUBOTA Engine

Genset Model	Prime Power		Standby Power		Engine KUBOTA	Alternator		Control System	Fuel cons 75%(L/H)	Dimension(mm)	
	KW	KVA	KW	KVA		Stamford	Knoxgen			Open type	Soundproof type
KDK12S6	9	11.3	10	12	D1105-E2BG-CHN-1	S0L1-H1	L1L1D-B4	Standard: LTC6120 Auto control system	1.7	1200*700*1100	1600*800*1100
KDK18S6	13	16	14	18	D1703-E2BG-CHN-1	S0L1-P1	L1L1D-C4		2.4	1300*700*1100	1700*800*1100
KDK28S6	20	25	22	28	V2203-E2BG-CHN-1	S0L2-M1	L1L1D-E4		3.7	1400*700*1100	1700*800*1100
KDK39S6	28	35	31	39	V3300-E2BG-CHN-1	S0L2-P1	L1L1D-F4		5.2	1500*800*1250	2000*850*1300

- ◆ Standard output voltage: 440/254V. And 220/127, 208/120, 416/240, 480/277, 460/266V are also available.
- ◆ The following rated values are calculated based on the altitude of 1000 meters and below 40°C ambient temperature, 125°C temperature rise (insulation class H).
- ◆ For each 24-hour period, the average loading is 75% of published prime power, the genset can work for unlimited time in the way of this mode each year. 10% overload work is permissible for 1 hour every 12-hour period. (ISO 8528)

KDD SERIES

POWERED BY DOOSAN ENGINE

KNOXGEN KDD series gensets are powered by DOOSAN diesel engine which is original from Korea and with power range from 150kVA to 927kVA.



50^{Hz} KDD Series

Three-phase
Powered by DOOSAN Engine

Genset Model	Prime Power		Standby Power		Engine	Alternator		Control System	Fuel cons 75%(L/H)	Dimension(mm)	
	KW	KVA	KW	KVA		Doosan	Stamford			Knoxgen	Open type
KDD69E	50	62.5	55	69	SP344CB	S1L2-Y1	L2L1D-C4	Standard: LTC6120 Auto control system	10.3	1860*900*1400	2280*950*1510
KDD88E	64	80	70	88	SP344CC	UCI224G	L2L1D-E4		13.5	1860*900*1400	2280*950*1510
KDD165E	120	150	132	165	DP086TA	UCI274F	L3L1D-E4		26.0	2500*1050*2000	3450*1130*2130
KDD185E	134	168	148	185	P086TI-1	UCI274G	L3L1D-G4		27.0	2500*1050*2000	3450*1130*2130
KDD220E	160	200	176	220	P086TI	UCI274H	L3L1D-J4		32.0	2250*1020*1850	3450*1130*2130
KDD250E	180	225	200	250	DP086LA	UCDI274J	L3L1D-K4		37.0	2500*1050*2000	3450*1130*2130
KDD300E	220	275	240	300	P126TI	S4L1D-D4	L4L1D-B4		44.0	3000*1100*1800	3800*1500*2100
KDD330E	240	300	264	330	P126TI-II	S4L1D-D4	L4L1D-B4		47.0	3000*1100*1800	3800*1500*2100
KDD400E	292	365	320	400	DP126LB	S4L1D-E4	L4L1D-F4		57.0	3000*1100*1850	3950*1550*2150
KDD440E	320	400	352	440	P158LE	S4L1D-F4	L4L1D-G4		65.0	3150*1350*1900	3950*1600*2300
KDD500E	360	450	400	500	DP158LC	S4L1D-G4	L5L1D-A4		73.0	3080*1460*2080	3950*1600*2300
KDD580E	420	525	464	580	DP158LD	S5L1D-C4	L5L1D-C4		83.0	3080*1460*2080	3950*1600*2300
KDD633E	460	575	506	633	DP180LA	S5L1D-D4	L5L1D-D4		94.0	3450*1400*2200	4250*1600*2230
KDD688E	500	625	550	688	DP180LB	S5L1D-E4	L5L1D-E4		104.0	3450*1400*2200	4250*1600*2230
KDD760E	550	688	608	760	DP222LB	S5L1D-G4	L5L1D-F4		109.0	3800*1550*2200	4900*2000*2450
KDD825E	600	750	660	825	DP222LC	S5L1D-H4	L6L1D-A4		119.0	4000*1550*2200	4900*2000*2450
KDD825CE	600	750	660	825	DP222CA	S5L1D-H4	L6L1D-A4	133.0	4000*1550*2200	5200*2200*2550	
KDD880E	640	800	704	880	DP222CB	S6L1D-C4	L6L1D-B4	145.0	4000*1550*2200	5200*2200*2550	
KDD1000E	730	913	800	1000	DP222CC	S6L1D-D4	L6L1D-C4	147.0	4000*1550*2200	5200*2200*2550	

- ◆ Standard output voltage:220/380V,230/400,240/415V.
- ◆ The following rated values are calculated based on the altitude of 1000 meters and below 40°C ambient temperature,125°C temperature rise(insulation class H).
- ◆ For each 24-hour period,the average loading is 75% of published prime power,the genset can work for unlimited time in the way of this mode each year.10% overload work is permissible for 1 hour every 12-hour period.(ISO 8528)

60^{Hz} KDD Series

Three-phase
Powered by DOOSAN Engine

Genset Model	Prime Power		Standby Power		Engine	Alternator		Control System	Fuel cons 75%(L/H)	Dimension(mm)	
	KW	KVA	KW	KVA		Doosan	Stamford			Knoxgen	Open type
KDD80E6	58	72.5	64	80	SP344CB	S1L2-Y1	L2L1D-C4	Standard: LTC6120 Auto control system	12.2	1860*900*1400	2280*950*1510
KDD100E6	73	91.3	80	100	SP344CC	UCI224G	L2L1D-E4		15.4	1860*900*1400	2280*950*1510
KDD200E6	144	180	160	200	DP086TA	UCI 274F	L3L1D-F4		30.0	2500*1050*2000	3450*1130*2130
KDD206E6	150	188	165	206	P086TI-1	UCI 274F	L3L1D-F4		32.0	2500*1050*2000	3450*1130*2130
KDD250E6	182	227	200	250	P086TI	UCI 274H	L3L1D-J4		38.0	2250*1020*1850	3450*1130*2130
KDD275E6	200	250	220	275	DP086LA	UCDI274J	L3L1D-K4		42.0	2500*1050*2000	3450*1130*2130
KDD344E6	250	313	275	344	P126TI	S4L1D-C4	L4L1D-B4		52.0	3000*1100*1800	3800*1500*2100
KDD385E6	275	344	308	385	P126TI-II	S4L1D-D4	L4L1D-B4		56.0	3000*1100*1800	3800*1500*2100
KDD440E6	320	400	352	440	DP126LB	S4L1D-E4	L4L1D-E4		64.0	3000*1100*1850	3950*1550*2150
KDD500E6	360	450	400	500	P158LE	S4L1D-F4	L4L1D-F4		75.0	3150*1350*1900	3950*1600*2300
KDD572E6	416	520	458	572	DP158LC	S4L1D-G4	L5L1D-A4		83.0	3080*1460*2080	3950*1600*2300
KDD625E6	454	568	500	625	DP158LD	S5L1D-D4	L5L1D-B4		93.0	3080*1460*2080	3950*1600*2300
KDD695E6	504	630	556	695	DP180LA	S5L1D-E4	L5L1D-C4		107.0	3450*1400*2200	4250*1600*2230
KDD750E6	550	688	600	750	DP180LB	S5L1D-E4	L5L1D-D4		114.0	3450*1400*2200	4250*1600*2230
KDD825E6	600	750	660	825	DP222LA	S5L1D-F4	L5L1D-F4		120.0	3800*1550*2200	4900*2000*2450
KDD875E6	635	794	700	875	DP222LB	S5L1D-G4	L6L1D-A4		128.0	3800*1550*2200	4900*2000*2450
KDD927E6	674	843	742	927	DP222LC	S5L1D-H4	L6L1D-A4	134.0	4000*1550*2200	4900*2000*2450	
KDD950E6	690	863	760	950	DP222CA	S6L1D-C4	L6L1D-A4	148.0	4000*1550*2200	5200*2200*2550	
KDD1025E6	750	938	820	1025	DP222CB	S6L1D-D4	L6L1D-B4	160.0	4000*1550*2200	5200*2200*2550	
KDD1125E6	800	1000	900	1125	DP222CC	S6L1D-D4	L6L1D-C4	167.0	4000*1550*2200	5200*2200*2550	

- ◆ Standard output voltage:440/254V.And 220/127,208/120,416/240,480/277,460/266V are also available.
- ◆ The following rated values are calculated based on the altitude of 1000 meters and below 40°C ambient temperature,125°C temperature rise(insulation class H).
- ◆ For each 24-hour period,the average loading is 75% of published prime power,the genset can work for unlimited time in the way of this mode each year.10% overload work is permissible for 1 hour every 12-hour period.(ISO 8528)

KDV SERIES

POWERED BY VOLVO ENGINE

KNOXGEN KDV series gensets are powered by VOLVO PENTA diesel engine which is original from Sweden and with power range from 85kVA to 800kVA.



50^{Hz} KDV Series

Three-phase
Powered by Volvo Penta Engine

Genset Model	Prime Power		Standby Power		Engine	Alternator		Control System	Fuel cons 75%(L/H)	Dimension(mm)	
	KW	KVA	KW	KVA		Volvo Penta	Stamford			Knoxgen	Open type
KDV94E	68	85	75	94	TAD530GE	UCI224G	L2L1D-F4	Standard: LTC6120 Auto control system	14.5	1850*900*1550	2800*1150*1850
KDV109E	80	100	87	109	TAD531GE	UCI274C	L3L1D-A4		16.8	2150*900*1550	2800*1150*1850
KDV142E	104	130	114	142	TAD532GE	UCI274E	L3L1D-D4		20.8	2150*900*1550	2800*1150*1850
KDV165E	120	150	132	165	TAD731GE	UCI274F	L3L1D-E4		24.6	2400*950*1650	3250*1150*1800
KDV206E	150	188	165	206	TAD732GE	UCI274H	L3L1D-H4		30.2	2550*950*1670	3600*1250*2050
KDV220E	160	200	176	220	TAD733GE	UCI274H	L3L1D-J4		32.2	2550*950*1670	3600*1250*2050
KDV275E	200	250	220	275	TAD734GE	UCDI274K	L3L1D-L4		41.0	2580*950*1670	3600*1250*2050
KDV346E	252	315	277	346	TAD1341GE	S4L1D-D4	L4L1D-D4		45.8	3100*1150*1800	4300*1450*2150
KDV385E	280	350	308	385	TAD1342GE	S4L1D-E4	L4L1D-E4		50.6	3100*1150*1800	4300*1450*2150
KDV415E	304	380	332	415	TAD1343GE	S4L1D-F4	L4L1D-F4		55.0	3100*1150*1800	4300*1450*2150
KDV450E	328	410	360	450	TAD1344GE	S4L1D-F4	L5L1D-A4		60.5	3100*1150*1800	4300*1450*2150
KDV500E	360	450	400	500	TAD1345GE	S4L1D-G4	L5L1D-A4		66.5	3100*1150*1800	4300*1450*2150
KDV550E	400	500	440	550	TAD1641GE	S5L1D-D4	L5L1D-B4		73.0	3400*1250*2000	4700*1700*2250
KDV660E	480	600	528	660	TAD1642GE	S5L1D-E4	L5L1D-D4		87.5	3400*1250*2000	4700*1700*2250
KDV700E	505	631	560	700	TWD1643GE	HCI544FS	L5L1D-F4		91.3	3400*1400*2100	5050*1650*2550
KDV770E	560	700	616	770	TWD1645GE	S5L1D-G4	L6L1D-A4		102.7	3400*1400*2100	5050*1650*2550

- ◆ Standard output voltage:220/380V,230/400,240/415V.
- ◆ The following rated values are calculated based on the altitude of 1000 meters and below 40°C ambient temperature,125°C temperature rise(insulation class H).
- ◆ For each 24-hour period,the average loading is 75% of published prime power,the genset can work for unlimited time in the way of this mode each year.10% overload work is permissible for 1 hour every 12-hour period.(ISO 8528)

60^{Hz} KDV Series

Three-phase
Powered by Volvo Penta Engine

Genset Model	Prime Power		Standby Power		Engine	Alternator		Control System	Fuel cons 75%(L/H)	Dimension(mm)	
	KW	KVA	KW	KVA		Volvo Penta	Stamford			Knoxgen	Open type
KDV145E6	105	131	116	145	TAD532GE	UCI 274D	L3L1D-B4	Standard: LTC6120 Auto control system	22.5	2150*900*1550	2810*1140*1830
KDV220E6	160	200	176	220	TAD732GE	UCI 274G	L3L1D-G4		34.0	2550*930*1670	3590*1250*2050
KDV248E6	178	223	198	248	TAD733GE	UCI 274H	L3L1D-H4		38.1	2550*930*1670	3590*1250*2050
KDV280E6	204	255	224	280	TAD734GE	UCDI274J	L3L1D-K4		39.0	2580*950*1670	3600*1250*2050
KDV375E6	272	340	300	375	TAD1341GE	S4L1D-D4	L4L1D-B4		51.6	3100*1150*1800	4300*1450*2150
KDV440E6	320	400	352	440	TAD1342GE	S4L1D-E4	L4L1D-E4		61.1	3100*1150*1800	4300*1450*2150
KDV450E6	328	410	360	450	TAD1343GE	S4L1D-E4	L4L1D-E4		62.5	3100*1150*1800	4300*1450*2150
KDV500E6	364	455	400	500	TAD1344GE	S4L1D-F4	L4L1D-G4		69.2	3100*1150*1800	4300*1450*2150
KDV642E6	456	570	514	642	TAD1641GE	HCI544D	L5L1D-B4		87.7	3400*1250*2000	4700*1700*2250
KDV688E6	500	625	550	688	TAD1642GE	HCI544E	L5L1D-C4		95.3	3400*1250*2000	4700*1700*2250
KDV750E6	550	688	600	750	TWD1643GE	HCI544E	L5L1D-D4		102.2	3400*1400*2100	5050*1650*2550
KDV800E6	580	725	640	800	TWD1645GE	HCI 544FS	L5L1D-E4		N/A	3400*1400*2100	5050*1650*2550

- ◆ Standard output voltage:440/254V.And 220/127,208/120,416/240,480/277,460/266V are also available.
- ◆ The following rated values are calculated based on the altitude of 1000 meters and below 40°C ambient temperature,125°C temperature rise(insulation class H).
- ◆ For each 24-hour period,the average loading is 75% of published prime power,the genset can work for unlimited time in the way of this mode each year.10% overload work is permissible for 1 hour every 12-hour period.(ISO 8528)

KDF SERIES

POWERED BY FPT ENGINE

KNOXGEN KDF series gensets are powered by FPT(IVECO) diesel engine which is original from Italy and with power range from 30kVA to 660kVA.



50^{Hz} KDF Series

Three-phase
Powered by FPT Engine

Genset Model	Prime Power		Standby Power		Engine	Alternator		Control System	Fuel cons 75%(L/H)	Dimension(mm)	
	KW	KVA	KW	KVA		FPT(IVECO)	Stamford			Knoxgen	Open type
KDF33E	24	30	26.4	33	S8000AM1.S550	S0L2-P1	L1L1D-G4	Standard: LTC6120 Auto control system	4.4	1860*900*1400	2280*950*1510
KDF50E	36	45	40	50	NEF45AM1A.S500	S1L2-N1	L2L1D-B4		6.7	1860*900*1400	2280*950*1510
KDF55E	40	50	44	55	NEF45AM2.S500	S1L2-R1	L2L1D-B4		7.4	1860*900*1400	2280*950*1510
KDF66E	48	60	53	66	NEF45SM1A.S500	S1L2-Y1	L2L1D-C4		8.9	1860*900*1400	2280*950*1510
KDF83E	60	75	66	83	LDF55+E5:E20E	UCI224G	L2L1D-E4		11.1	1860*900*1400	2280*950*1510
KDF88E	64	80	70	88	NEF45SM3.S500	UCI224G	L2L1D-E4		11.9	1860*900*1400	2280*950*1510
KDF110E	80	100	88	110	NEF45TM2A.S500	UCI274C	L3L1D-A4		14.8	2200*1050*1550	2850*1050*1650
KDF132E	96	120	106	132	NEF45TM3.S500	UCI274D	L3L1D-C4		17.8	2200*1050*1550	2850*1050*1650
KDF138E	100	125	110	138	NEF67SM1.S500	UCI274E	L3L1D-C4		18.5	2300*950*1550	3000*1050*1670
KDF143E	104	130	114	143	NEF67TM2A.S500	UCI274E	L3L1D-D4		19.3	2300*950*1550	3000*1050*1670
KDF165E	120	150	132	165	NEF67TM3A.S500	UCI274F	L3L1D-E4		22.2	2450*1050*1950	3100*1130*1952
KDF187E	136	170	150	187	NEF67TM4.S500	UCI274G	L3L1D-G4		25.2	2450*1050*1950	3200*1130*1950
KDF220E	160	200	176	220	NEF67TM7.S500	UCI274H	L3L1D-J4		29.6	2900*1150*1765	3800*1500*2100
KDF275E	200	250	220	275	C87TE3	UCDI274K	L3L1D-L4		37.1	2900*1150*1765	4100*1600*2480
KDF330E	240	300	264	330	C87TE4	S4L1D-D4	L4L1D-B4		44.5	2900*1150*1765	4100*1600*2480
KDF385E	280	350	308	385	CURSOR13TE2A.S551	S4L1D-E4	L4L1D-E4		51.9	3050*1150*2000	3950*1600*2230
KDF440E	320	400	352	440	CURSOR13TE3A.S551	S4L1D-F4	L4L1D-G4		59.3	3050*1150*2000	3950*1600*2230
KDF495E	360	450	396	495	CR13TE6W.S550	S5L1D-C4	L5L1D-A4		66.7	3300*1150*2100	4300*1600*2230
KDF550E	400	500	440	550	CR13TE7W.S550	S5L1D-D4	L5L1D-B4		74.1	3300*1150*2100	4300*1600*2230
KDF660E	480	600	528	660	CR16TE1W.S550	S5L1D-E4	L5L1D-D4		88.9	3500*1450*2250	4300*1600*2250

- ◆ Standard output voltage:220/380V,230/400,240/415V.
- ◆ The following rated values are calculated based on the altitude of 1000 meters and below 40°C ambient temperature,125°C temperature rise(insulation class H).
- ◆ For each 24-hour period,the average loading is 75% of published prime power,the genset can work for unlimited time in the way of this mode each year.10% overload work is permissible for 1 hour every 12-hour period.(ISO 8528)

60^{Hz} KDF Series

Three-phase
Powered by FPT Engine

Genset Model	Prime Power		Standby Power		Engine	Alternator		Control System	Fuel cons 75%(L/H)	Dimension(mm)	
	KW	KVA	KW	KVA		FPT(IVECO)	Stamford			Knoxgen	Open type
KDF36E6	26.4	33	29	36	S8000AM1.S550	S0L2-P1	L1L1D-G4	Standard: LTC6120 Auto control system	4.9	1860*900*1400	2280*950*1510
KDF72E6	52	65	57	72	NEF45SM1A.S500	S1L2-R1	L2L1D-C4		9.6	1860*900*1400	2280*950*1510
KDF100E6	72	90	80	100	NEF45SM3.S500	UCI224F	L2L1D-E4		13.3	1860*900*1400	2280*950*1510
KDF110E6	80	100	88	110	NEF45TM1A.S500	UCI224G	L2L1D-F4		14.8	2200*1050*1550	2850*1050*1650
KDF120E6	88	110	96	120	NEF45TM2A.S500	UCI274C	L2L1D-F4		16.3	2200*1050*1550	2850*1050*1650
KDF138E6	100	125	110	138	NEF45TM3.S500	UCI274C	L3L1D-B4		18.5	2200*1050*1550	2850*1050*1650
KDF154E6	112	140	123	154	NEF67SM1.S500	UCI274D	L3L1D-C4		20.8	2300*950*1550	3000*1050*1670
KDF175E6	128	160	140	175	NEF67TM3A.S500	UCI274E	L3L1D-D4		23.7	2450*1050*1950	3100*1130*1952
KDF220E6	160	200	176	220	NEF67TM7.S500	UCI274F	L3L1D-G4		29.6	2900*1150*1765	3800*1500*2100
KDF300E6	216	270	240	300	C87TE3	UCDI274J	L3L1D-L4		40.0	2900*1150*1765	4100*1600*2480
KDF360E6	259	324	288	360	C87TE4	S4L1D-C4	L4L1D-B4		48.0	2900*1150*1765	4100*1600*2480
KDF385E6	280	350	308	385	CURSOR13TE2A.S551	S4L1S-D4	L4L1D-B4		51.9	3050*1150*2000	3950*1600*2230
KDF450E6	330	412	360	450	CURSOR13TE3A.S551	S4L1D-E4	L4L1D-E4		61.1	3050*1150*2000	3950*1600*2230
KDF550E6	400	500	440	550	CR13TE7W.S550	S4L1D-F4	L5L1D-A4		74.1	3300*1150*2100	4300*1600*2230
KDF660E6	480	600	528	660	CR16TE1W.S550	S5L1D-C4	L5L1D-B4		88.9	3500*1450*2250	4300*1600*2250

- ◆ Standard output voltage:440/254V.And 220/127,208/120,416/240,480/277,460/266V are also available.
- ◆ The following rated values are calculated based on the altitude of 1000 meters and below 40°C ambient temperature,125°C temperature rise(insulation class H).
- ◆ For each 24-hour period,the average loading is 75% of published prime power,the genset can work for unlimited time in the way of this mode each year.10% overload work is permissible for 1 hour every 12-hour period.(ISO 8528)

KDM SERIES

POWERED BY MTU ENGINE

KNOXGEN KDM series gensets are available from 800kVA to 3750kVA and powered by world-famous MTU engine which is featured with reliability, advanced technology, high-class performance, environmental consciousness and long service life.



50^{Hz} KDM Series

Three-phase
Powered by MTU Engine

Genset Model	Prime Power		Standby Power		Engine	Alternator		Control System	Fuel cons 75%(L/H)	Dimension(mm)	
	KW	KVA	KW	KVA		MTU	Stamford			Knoxgen	Open type
KDM880E	640	800	704	880	12V2000G65	S6L1D-C4	L6L1D-B4	Standard: LTC6120 Auto control system	123	4500*2100*2080	5800*1800*2550
KDM1000E	728	910	800	1000	16V2000G25	HCI 634H	L6L1D-C4		143	4500*2100*2080	ISO 20'ft
KDM1100E	800	1000	880	1100	16V2000G65	S6L1D-E4	L6L1D-D4		155	4500*2100*2080	ISO 20'ft
KDM1250E	908	1135	1000	1250	18V2000G65	S6L1D-F4	L6L1D-E4		178	4600*2100*2300	ISO 20'ft
KDMP1250E	1000	1250	N/A	N/A	18V2000G26F	LVI634G	L6L1D-F4		N/A	3960*1835*2260	ISO 20'ft
KDM1375E	N/A	N/A	1100	1375	18V2000G76F	LVI634G	L7L1D-A4		N/A	3960*1835*2260	ISO 20'ft
KDMP1400E	1120	1400	N/A	N/A	12V4000G23R	PI734B	L7L1D-A4		N/A	3960*1835*2260	ISO 20'ft
KDM1660E	1240	1550	1328	1660	12V4000G23	S7L1D-C4	L7L1D-B4		230	3960*1835*2260	ISO 20'ft
KDM1800E	1312	1640	1440	1800	12V4000G23	PI 734D	L7L1D-C4		242	3960*1835*2260	ISO 40'ft
KDM2000E	1480	1850	1600	2000	12V4000G63	S7L1D-F4	L7L1D-D4		271	3980*1845*2270	ISO 40'ft
KDM2250E	1640	2050	1800	2250	16V4000G23	PI734F/S7L1D-G4	L7L1D-E4		302	4790*1845*2270	ISO 40'ft
KDM2500E	1800	2250	2000	2500	16V4000G63	PI734H	L7L1D-F4		330	5450*1845*2560	ISO 40'ft
KDM2750E	2000	2500	2200	2750	20V4000G23	S7L1D-J4	N/A		379	5650*1900*2650	ISO 40'ft
KDM3000E	2200	2750	2400	3000	20V4000G63	N/A	N/A		415	5700*1950*2700	ISO 40'ft
KDM3250E	2400	3000	2600	3250	20V4000G63L	LSA 53.1 M80(Leroy Some)			450	5750*1980*2750	ISO 40'ft

- ◆ Standard output voltage:220/380V,230/400,240/415V.
- ◆ The following rated values are calculated based on the altitude of 1000 meters and below 40℃ ambient temperature,125℃ temperature rise(insulation class H).
- ◆ For each 24-hour period,the average loading is 75% of published prime power,the genset can work for unlimited time in the way of this mode each year.10% overload work is permissible for 1 hour every 12-hour period.(ISO 8528)

60^{Hz} KDM Series

Three-phase
Powered by MTU Engine

Genset Model	Prime Power		Standby Power		Engine	Alternator		Control System	Fuel cons 75%(L/H)	Dimension(mm)	
	KW	KVA	KW	KVA		MTU	Stamford			Knoxgen	Open type
KDM1000E6	728	910	800	1000	12V2000G85	S6L1D-C4	L6L1D-B4	Standard: LTC6120 Auto control system	152	4500*2100*2080	5800*1800*2550
KDM1137E6	820	1025	910	1137	16V2000G45	S6L1D-D4	L6L1D-C4		170	4500*2100*2080	ISO 20'ft
KDM1265E6	920	1150	1012	1265	16V2000G85	S6L1D-E4	L6L1D-D4		189	4500*2100*2080	ISO 20'ft
KDM1450E6	1070	1338	1160	1450	18V2000G85	S6L1D-F4	L6L1D-F4		220	4600*2100*2300	ISO 20'ft
KDM1500E6	1090	1362	1200	1500	18V2000G85	S6L1D-G4	L6L1D-F4		224	3960*1835*2260	ISO 20'ft
KDM1875E6	1360	1700	1500	1875	12V4000G43	PI734C	L7L1D-B4		266	3960*1835*2260	ISO 20'ft
KDM2200E6	1600	2000	1760	2200	12V4000G83	PI734E	L7L1D-D4		310	3960*1835*2260	ISO 20'ft
KDM2500E6	1820	2275	2000	2500	16V4000G43	PI734G/S7L1D-G4	L7L1D-E4		359	3960*1835*2260	ISO 40'ft
KDM2750E6	2000	2500	2200	2750	16V4000G83	PI734G	L7L1D-E4		389	3980*1845*2270	ISO 40'ft
KDM3125E6	2250	2813	2500	3125	20V4000G43	N/A	N/A		457	4790*1845*2270	ISO 40'ft
KDM3438E6	2500	3125	2750	3438	20V4000G83	LSA 53 S75(Leroy Some)			497	5450*1845*2560	ISO 40'ft
KDM3750E6	2760	3450	3000	3750	20V4000G83L	LSA 53.1M80(Leroy Some)			576	5450*1845*2560	ISO 40'ft

- ◆ Standard output voltage:440/254V.And 220/127,208/120,416/240,480/277,460/266V are also available.
- ◆ The following rated values are calculated based on the altitude of 1000 meters and below 40℃ ambient temperature,125℃ temperature rise(insulation class H).
- ◆ For each 24-hour period,the average loading is 75% of published prime power,the genset can work for unlimited time in the way of this mode each year.10% overload work is permissible for 1 hour every 12-hour period.(ISO 8528)

Genset Model	Prime Power		Standby Power		Engine	Alternator		Control System	Fuel cons 75%(L/H)	Dimension(mm)	
	KW	KVA	KW	KVA		MITSUBISHI	Stamford			knoxgen	Open type
KDMT825E	600	750	660	825	S6R2-PTAA-C	S5L1D-H	L6L1D-A4	Standard: LTC6120 Auto control system	160	4550*2100*2320	5800*2100*2500
KDMT1375E	1000	1250	1100	1375	S12R-PTA-C	S6L1D-G4	L6L1D-F4		252	5000*2200*2800	ISO 40'ft
KDMT1500E	1100	1375	1200	1500	S12R-PTA2-C	S6L1D-H4	L7L1D-A4		276	5000*2200*2800	ISO 40'ft
KDMT1650E	1200	1500	1320	1650	S12R-PTAA2-C	S7L1D-C4	L7L1D-B4		338	5000*2200*2800	ISO 40'ft
KDMT1900E	1392	1740	1520	1900	S16R-PTA-C	S7L1D-E4	L7L1D-D4		377	5500*2200*2800	ISO 40'ft
KDMT2100E	1520	1900	1680	2100	S16R-PTA2-C	S7L1D-F4	L7L1D-D4		416	5500*2200*2800	ISO 40'ft
KDMT2250E	1640	2050	1800	2250	S16R-PTAA2-C	S7L1D-G4	L7L1D-E4		452	5820*2200*2800	ISO 40'ft
KDMT2500E	1800	2250	2000	2500	S16R2-PTAW	S7L1D-H4	L7L1D-F4		477	6250*2200*2800	ISO 40'ft

- ◆ Standard output voltage:220/380V,230/400,240/415V.
- ◆ The following rated values are calculated based on the altitude of 1000 meters and below 40°C ambient temperature,125°C temperature rise(insulation class H).
- ◆ For each 24-hour period,the average loading is 75% of published prime power,the genset can work for unlimited time in the way of this mode each year.10% overload work is permissible for 1 hour every 12-hour period.(ISO 8528)

KDMT SERIES

POWERED BY MITSUBISHI ENGINE

KNOXGEN KDMT series gensets are powered by MITSUBISHI diesel engine and to provide power range from 750kVA to 2500kVA.



ATS

ATS cabinet is mainly applied to the automatic switch between prime and emergency power, composing automatic emergency power supply system together with diesel generating sets. When prime power is cut off, it can automatically switch loads such as emergency illumination, security power and firefighting equipment to generating sets.

Continuous and rapid power supply is a basic and core function of ATS.

As long as there is power failure, ATS can ensure a continuous power supply.

When common power supply fails, ATS can quickly detect and timely automatically transfer.

When common power supply returns to normal, ATS will automatically transfer the load from the standby power supply to the common power supply.

When the power supply fails, ATS can automatically cut off power supply.



Spare parts

Brand accessories, Quality assurance

KNOXGEN provides you with the original brand engine, alternator and other spare parts, the quality is more reliable.

Best solutions

KNOXGEN will provide you best solutions for spare parts, because we have most experienced technical team and after-sale service team. Quickly intuitive query by 2D/3D makes sure requested spare parts more accurate.

24-hour Service

We understand your needs and difficulties. Hence KNOXGEN after-sales team opened 24-hour service hotline to help you solve any problems.You can contact alex@knoxgen.com for help.

The Most Efficient Transport

KNOXGEN maintains good cooperation with DHL, TNT etc. international express company. In case of urgent express, KNOXGEN promises sending out within 48 hours, in the shortest time to reach your side. No matter when and where, no matter what you need, KNOXGEN will provide you with the highest quality accessories.

KNOXGEN



KNOXGEN
CASES